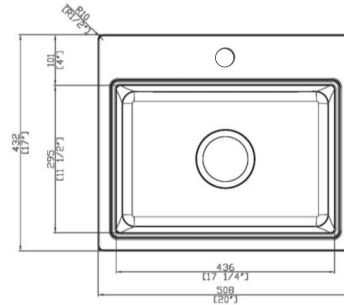


AQUARIUS 1.0 BOWL DUAL MOUNT

Composite ROK[®] Granite Sink



Model Code:	Overall		Bowl			Min. cabinet
	L	W	L	W	D	
AS-AQ10RZUSSK	25	17	11 ^{1/2}	17 ^{1/4}	7 ^{1/64}	24"
AS-AQ10RQUSSK	25	17	11 ^{1/2}	17 ^{1/4}	7 ^{1/64}	24"
AS-AQ10RHUSSK	25	17	11 ^{1/2}	17 ^{1/4}	7 ^{1/64}	24"
AS-AQ10RWUSSK	25	17	11 ^{1/2}	17 ^{1/4}	7 ^{1/64}	24"

MODELS:

- (AS-AQ10RZUSSK) Aquarius 1.0 Bowl Dual Mount: Volcano Black
- (AS-AQ10RQUSSK) Aquarius 1.0 Bowl Dual Mount: Metallic Chocolate
- (AS-AQ10RHUSSK) Aquarius 1.0 Bowl Dual Mount: Sahara Beige
- (AS-AQ10RWUSSK) Aquarius 1.0 Bowl Dual Mount: Opal White

FEATURES

- 3-1/2" drain opening
- 1 pre-drilled central faucet hole
- Cut out template provided
- Fixing clips included
- Limited Lifetime Warranty
- Complies with ANSI Z124.6
- Manufactured in Great Britain

COLOR OPTIONS:

ROK[®] uses no dyes or pigments, only natural quartz particles—our sinks are a solid color throughout the material.



Sahara Beige



Opal White



Volcano Black (Metallic)

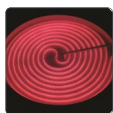


Chocolate Metallic (Metallic)

ROK[®] GRANITE COMPOSITE

Astracast ROK[®] is manufactured from over 80% real quartz particles—The inherent strength and beneficial properties of quartz lends itself to producing an extremely durable sink material.

FEATURES & BENEFITS:



Withstands extreme variations in temperature and repeated cycles of hot and cold liquids without effect.



Extremely scratch resistant surface and resistant to impact damage.



Unique low porosity structure of the material prevents staining agents penetrating the surface.



The innovative, molecular structure ensures resistance to all commonly used household chemicals.



Extremely resistance to fading of discoloration with water or UV light.



ROK[®] Composite material has a limited lifetime manufacturers guarantee.

AQUARIUS 1.0 BOWL DUAL MOUNT

Composite ROK® Granite Sink

General Cleaning Instructions

Always wipe the sink down with warm soapy water and a cloth after use. This will remove everyday stains from your sink. It is recommended you dry the sink after use to prevent standing water on the surface which can lead to lime scale deposits.

For in-grained stains a mild cream cleaner and a nylon brush or scouring pad can be used. Don't be afraid to scrub into the surface as staining agents can get trapped into the grain of the composite material. Scrubbing in a circular motion will release these stains. Rinse the sink with soapy water and dry with a soft cloth afterwards.

Avoid:

- Pouring strong chemicals down the sink such as bleach, ammonia, caustic soda, paint stripper, and sterilising solutions. If this should happen accidentally, wipe the spill away quickly with a dry cloth, then rinse with plenty of water.
- Chopping food directly on the surface of the sink. Glass and wooden chopping boards are available for this purpose.
- Leaving neat bleach in sink bowls can cause damage to all sinks even composite. If neat bleach should come into contact with the sink, rinse thoroughly with warm soapy water.
- Dropping sharp or heavy objects into the sink, as this may scratch or damage the surface.
- Placing pans, saucepans, and other hot dishes directly onto the sink surface if above 536°F (280°C) in temperature

Lime Scale Deposits

In hard water areas lime scale deposits can build up on the sink over a period of time. The lime scale can become strongly colored by such foods as coffee and red wine.

To remove lime scale we recommend the use of lemon juice or vinegar. If stains become ingrained in the bowl/s, soak in a solution of 1 part vinegar to 3 parts water. This will loosen the scale making it possible to scrub it away with an abrasive pad and kitchen sink cleaner. Rinse the sink with water afterwards.

We do not recommend using bleach as this only bleaches the stain rather than removing the root of the cause, the lime scale, and therefore isn't an effective way to remove the discoloration from your sink. Strong undiluted bleach can also be damaging to the finish of the sink.